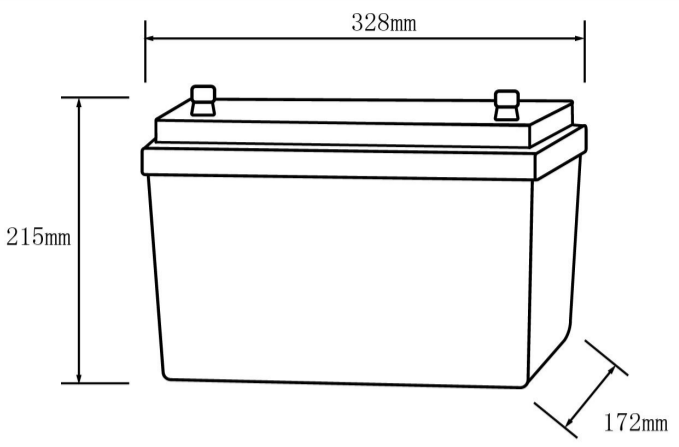


# MP-2450

25.6V50Ah

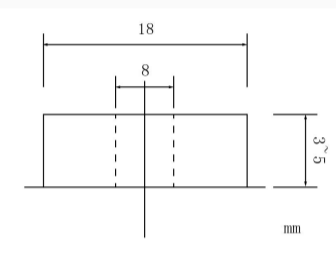
## Dimension Sketch:



## Appearance:



## Terminal:



Rated Voltage:	25.6V
Rated Capacity:	50Ah
Rated Energy:	1280Wh
Max. Charge Voltage:	29.2V
Max. Charge Current:	50A
Float-Charge Voltage:	27.2~27.6V
Max. Discharge Current, :	50A
Peak discharge current@10s:	100A
Max. Load Power:	1000W
Discharge Cut-off Voltage:	21.6V
Charge Temp.:	0~+50°C
Discharge Temp.:	-20~+60°C
Working Humidity:	<95%R.H (non-condensing)
Cycle Life (25°C,0.5C,100%DOD):	>2000
Cell configuration:	23140160-8S1P
Terminal:	F12(M8)
IP Grade:	IP65
Dimension:	328*172*215mm
Weight:	11.8Kg
Certificates:	UN38.3/MSDS

