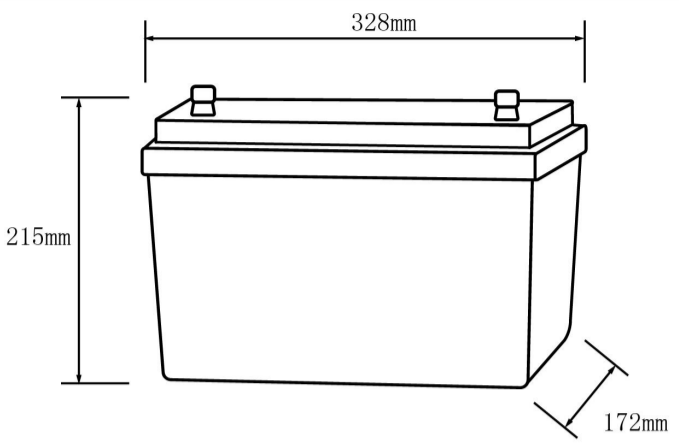


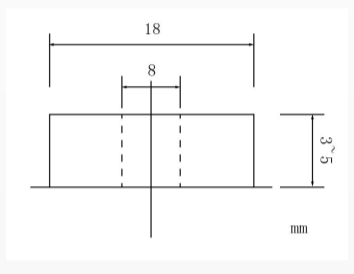
Dimension Sketch:



Appearance:



Terminal:



MP-12150

12.8V150Ah

Rated Voltage:	12.8V
Rated Capacity:	150Ah
Rated Energy:	1920Wh
Max. Charge Voltage:	14.6V
Max. Charge Current:	100A
Float-Charge Voltage:	13.6~13.8V
Max. Discharge Current, :	100A
Peak discharge current@10s:	200A
Max. Load Power:	1000W
Discharge Cut-off Voltage:	10.8V
Charge Temp.:	0~+50°C
Discharge Temp.:	-20~+60°C
Working Humidity:	<95%R.H (non-condensing)
Cycle Life (25°C,0.5C,100%DOD):	>2000
Cell configuration:	23140160-4S3P
Terminal:	F12(M8)
IP Grade:	IP65
Dimension:	328*172*215mm
Weight:	16.5Kg
Certificates:	UN38.3/MSDS

