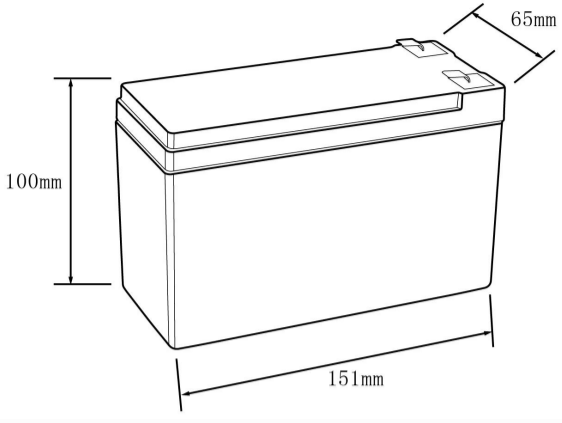


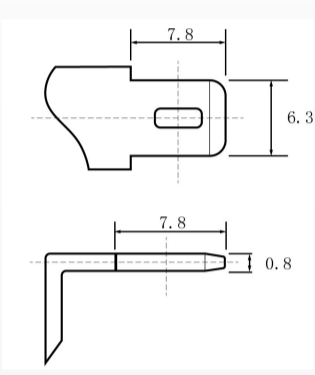
Dimension Sketch:



Appearance:



Terminal:



MP-1210

12.8V10Ah

| | |
|---------------------------------|-----------------------------|
| Rated Voltage: | 12.8V |
| Rated Capacity: | 10Ah |
| Rated Energy: | 128Wh |
| Max. Charge Voltage: | 14.6V |
| Max. Charge Current: | 10A |
| Float-Charge Voltage: | 13.6~13.8V |
| Max. Discharge Current, : | 10A |
| Peak discharge current@10s: | 20A |
| Max. Load Power: | 100W |
| Discharge Cut-off Voltage: | 10.8V |
| Charge Temp.: | 0~+50°C |
| Discharge Temp.: | -20~+60°C |
| Working Humidity: | <95%R.H (non-condensing) |
| Cycle Life (25°C,0.5C,100%DOD): | >2000 |
| Cell configuration: | 32700-4S2P |
| Terminal: | T2(6.3mm) |
| IP Grade: | IP65 |
| Dimension: | 151*65*100mm |
| Weight: | 0.9Kg |
| Certificates: | UN38.3/MSDS |

